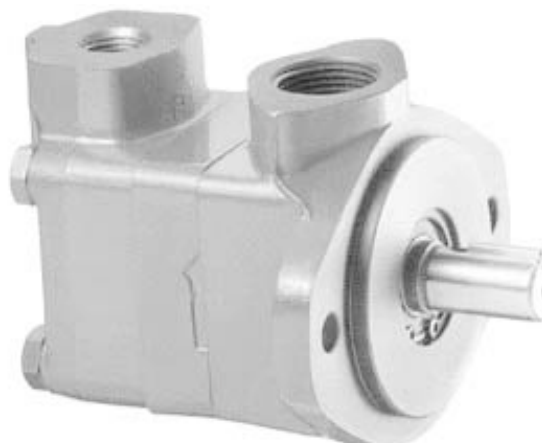


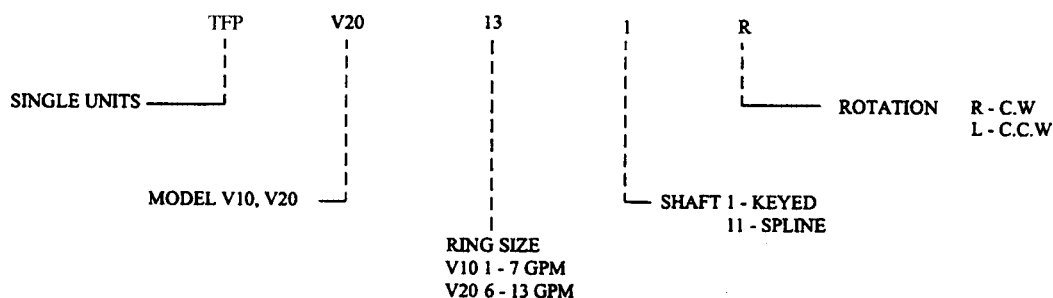
TFP SINGLE VANE PUMPS TV10/V20



- * High Performance
- * Low Cost
- * Extended Life
- * Versatile
- * Compact
- * Quiet Operation
- * Balanced Cartridge Design



◆ Single Pump Ordering Specifications



Values based on using anti-wear type petroleum oil 150 SUS at 100°F and 0 PSI inlet pressure.

MODEL SERIES	RING SIZE (DELIVERY USgpm @ 1200 R/MIN & 100 PSI)	DISPL. in ³ /r	MAXIMUM SPEED (RPM)	MAXIMUM PRESSURE (PSI)	TYPICAL DELIVERY (USgpm) @max.speed & pressure	TYPICAL INPUT POWER (HP) @max. speed & pressure	WEIGHT (lbs.)
V10	1	0.20	4800	2500	3.60	07.0	(10 - 15)
	2	0.40	4500	2500	7.30	13.6	
	3	0.60	4000	2500	9.40	17.8	
	4	0.80	3400	2500	10.9	20.4	
	5	1.00	3200	2500	12.8	22.8	
	6	1.19	3000	2500	14.6	26.0	
	7	1.39	2800	2500	16.0	28.0	
V20	6	1.19	3400	2500	16.1	29.0	(16 - 18)
	7	1.39	3000	2500	16.7	29.5	
	8	1.62	2800	2500	17.7	32.5	
	9	1.80	2800	2500	19.8	35.5	
	11	2.22	2500	2500	22.9	37.5	
	12	2.38	2400	2500	23.0	38.5	
	13	2.59	2400	2500	25.9	42.0	

TFP offers a complete line of economical high performance fixed displacement vane pumps providing flows up to 26 US GPM for mobile and industrial applications. Balanced vane design provides quiet operation, high efficiency and long service life for the toughest applications. Units are designed for use with oil or synthetic fire resistant fluid. A large combination of Spline/Keyed Shafts and factory tested cartridges are available for fast, easy conversion and repair. Units are self-priming. However, before starting, fill the pump with system fluid through uppermost port. The housing must be kept full at all times to provide internal lubrication.

TFP TV10 SINGLE VANE PUMP INSTALLATION DIMENSIONS



DIMENSION (inches)

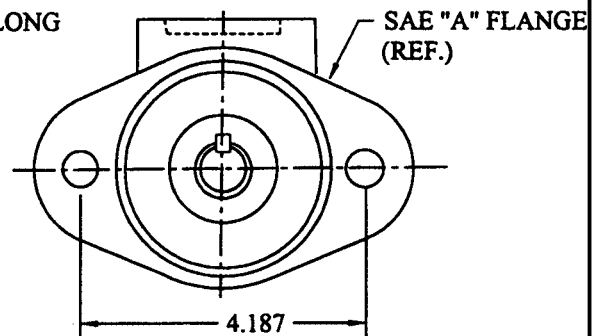
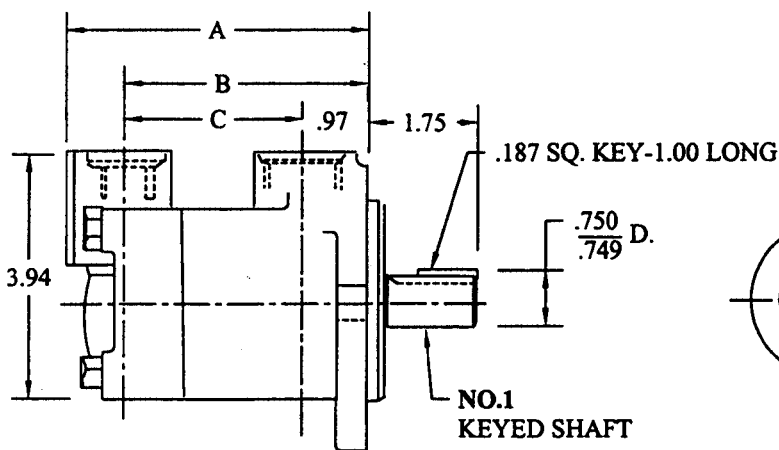
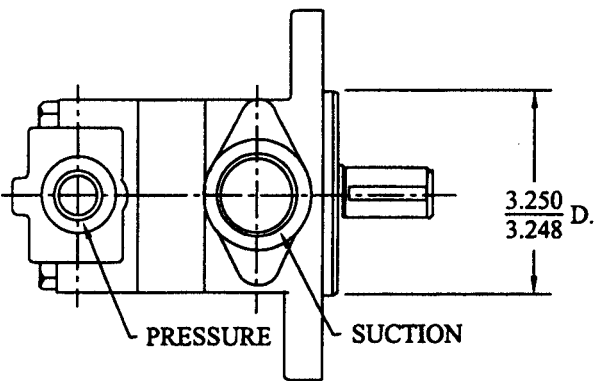
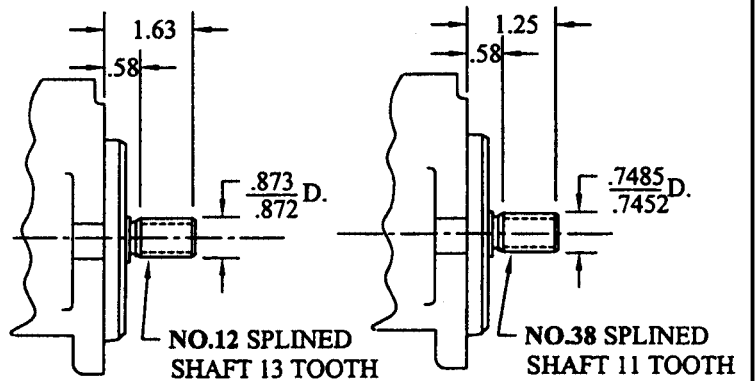
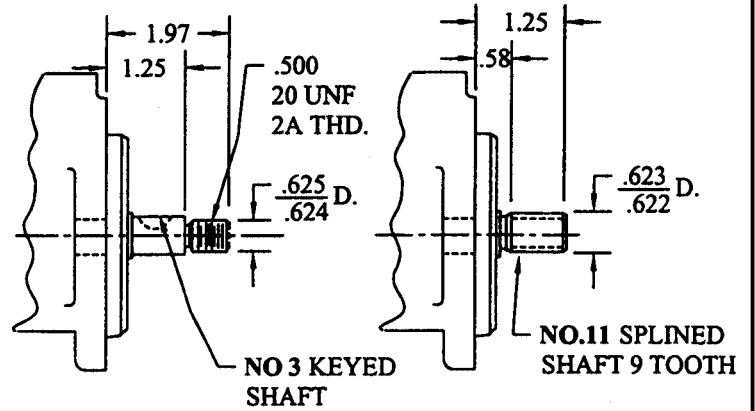
DELIVERY @ 1200 RPM & 100 PSI	DIMENSION		
	A	B	C
1 GPM	4.55	3.62	2.65
2 GPM	4.55	3.62	2.65
3 GPM	4.55	3.62	2.65
4 GPM	4.80	3.87	2.90
5 GPM	4.85	3.87	2.90
6 GPM	5.00	4.07	3.10
7 GPM	5.00	4.07	3.10

Weight 10 - 15 lbs

Pressure: 3/4" - 16 UN 'O'-Ring

Suction: 1 3/8" - 12 UN 'O'-Ring

V10 series Optional Shafts



**FLOW CONTROL/PRIORITY
VALVE & RELIEF COVERS AVAILABLE**

TFP TV20 SINGLE VANE PUMP INSTALLATION DIMENSIONS



DIMENSION (inches)

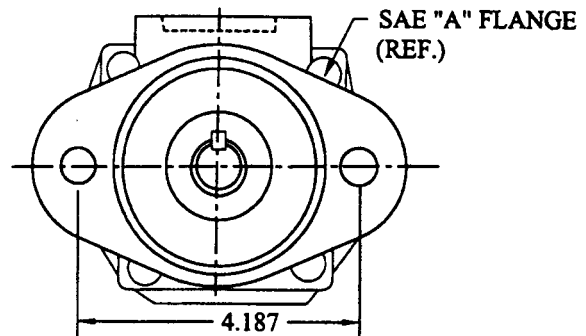
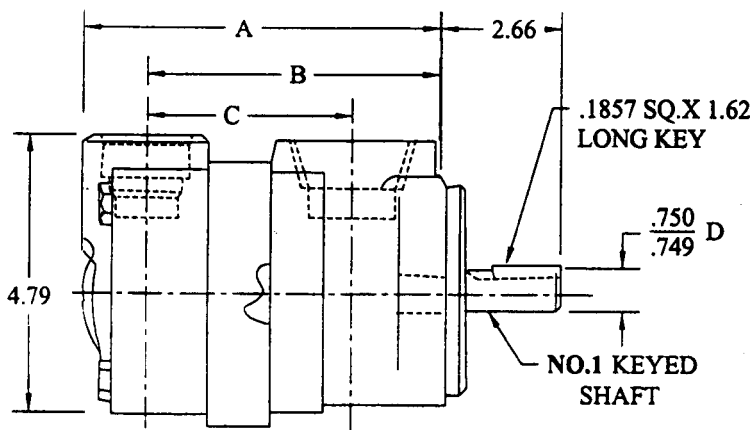
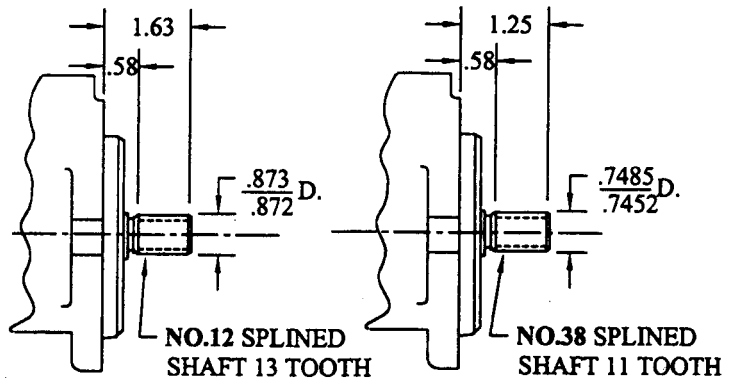
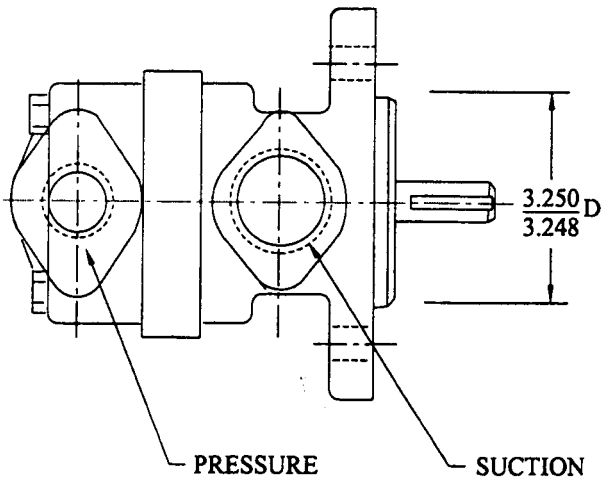
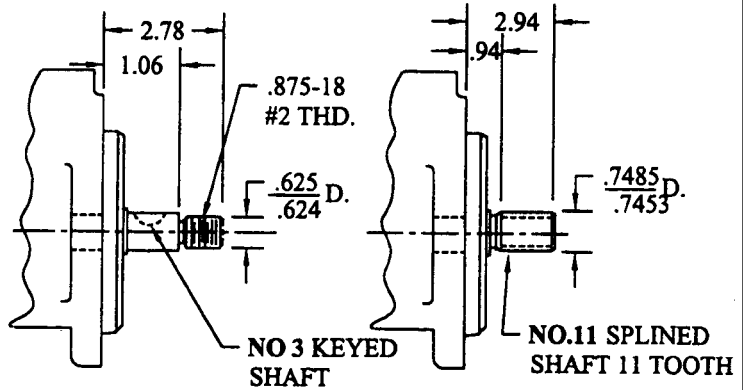
DELIVERY @ 1200 RPM & 100 PSI	DIMENSION		
	A	B	C
6	4.93	4.02	2.80
7	5.18	4.27	3.05
8	5.18	4.27	3.05
9	5.18	4.27	3.05
11	5.38	4.47	3.25
12	5.52	4.61	3.39
13	5.52	4.61	3.39

Weight 16 - 18 lbs

Pressure: 1 1/16" - 12 UN 'O'-Ring

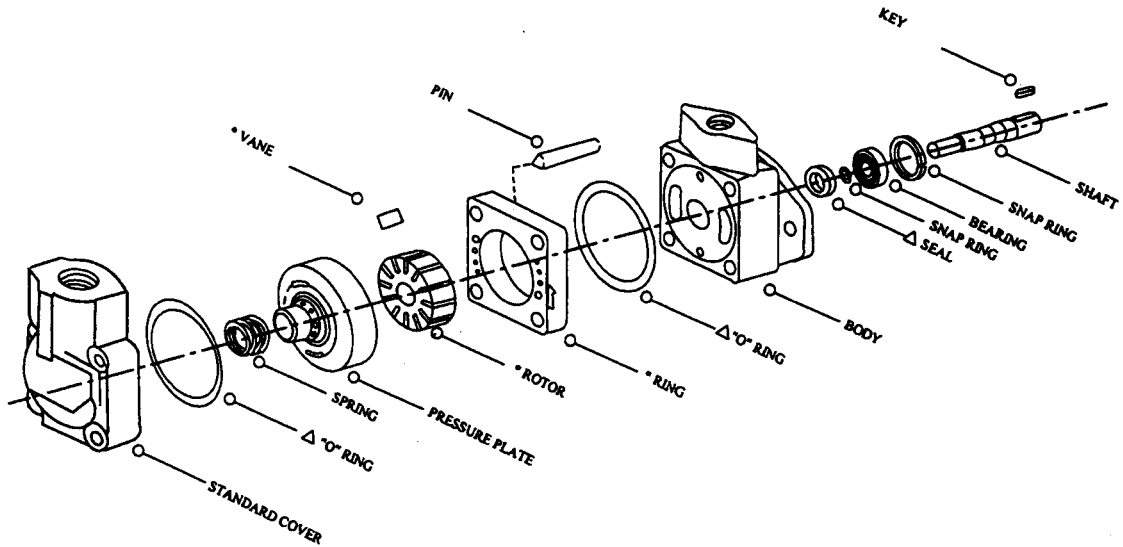
Suction: 1 5/8" - 12 UN 'O'-Ring

V20 series
Optional Shafts



**FLOW CONTROL/PRIORITY
VALVE & RELIEF COVERS AVAILABLE**

TFP V10/V20 VANE PUMPS SERVICE PARTS INFORMATION



- INCLUDED IN CARTRIDGE KIT
- △ INCLUDED IN SEAL KIT

PUMP SE	C. KIT	ROTOR	VANES	RING	SEAL	SEAL KIT	BEARING	PR. PL.	SPRING	BODY	COVER	SHAFT NO.
V10...1	923471N	317681N	923499N	317674N	263585N	923548N	148423N	374343N	345262N	352699N	372863N	SHAFT 1 NO.374338N
...2	923470N			317675N	VITON	VITON						SHAFT 3 NO.374340N
...3	923496N			317676N	388205N	919772N						SHAFT 11 NO.374339N
...4	923469N	351247N	923500N	317677N								SHAFT 12 NO.375480N
...5	923468N			317678N								SHAFT 38 NO.387481N
...6	923497N	357268N	923501N	355641N								
...7	923498N			331813N								
V20...5	924076N	358328N	923328N	388284N	229235N	922733N	098574N	359287N	28422N	V20	313657N	V20
...6	923480N			328150N	VITON	VITON				280689N		SHAFT 1 NO.280372N
...7	923481N	358330N	923493N	328152N	279499N	919805N				V210		SHAFT 3 NO.280504N
...8	923483N			331791N						280210N		SHAFT 6 NO.297330N
...9	923484N			331789N						V230		SHAFT 11 NO.280515N
...10	923620N	358332N	923478N	374309N						280230N		SHAFT 15 NO.294922N
...11	923482N			328156N								SHAFT 38 NO.328096N
...12	923486N	358334N	923479N	331806N								V210/V230
...13	923487N			331807N								SHAFT 1 NO.280210N

- All cartridge assemblies are factory tested prior to shipping -

Rear Cover Bolt Torque

V10	40 FT./LBS
V20	80 FT./LBS

Changing Cartridge Rotation

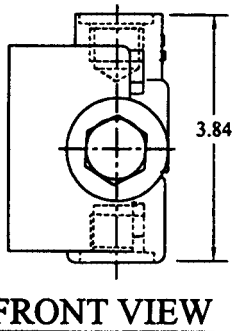
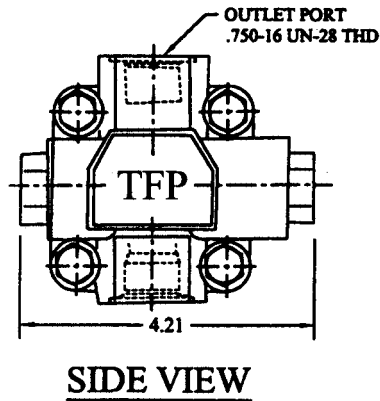
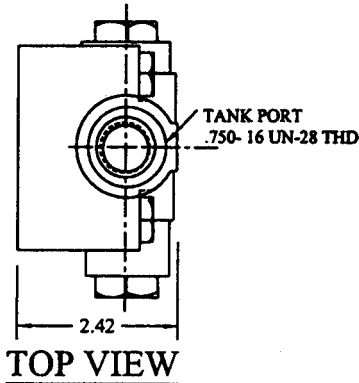
Assemble the ring using the locating pins for alignment making sure the arrow on the perimeter point's in the proper direction of rotation. Install the rotor on shaft and insert vanes in the rotor slots. Be certain the radius edges of the vanes are towards the cam ring.

FLOW CONTROL/PRIORITY VALVE & RELIEF COVERS AVAILABLE

TFP FLOW CONTROL/RELIEF COVER V10/V20

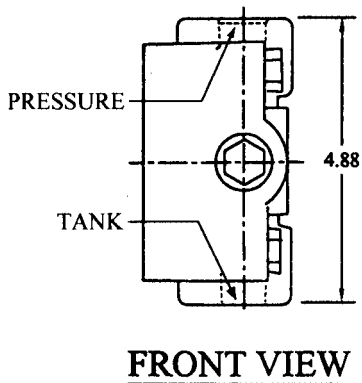
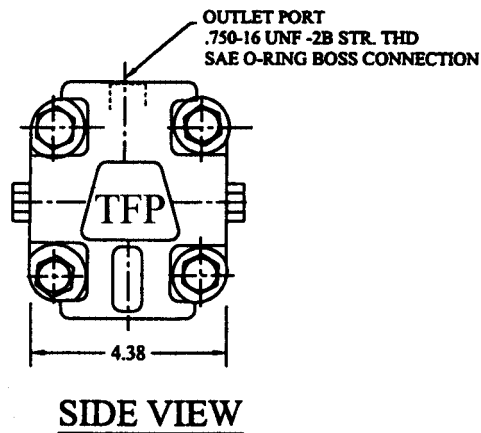
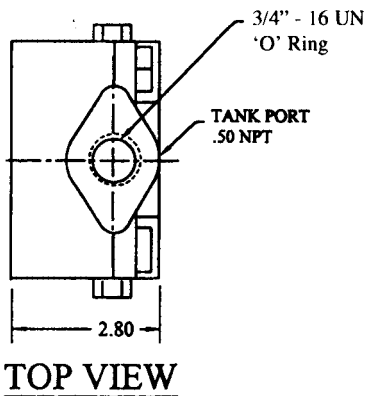


V10



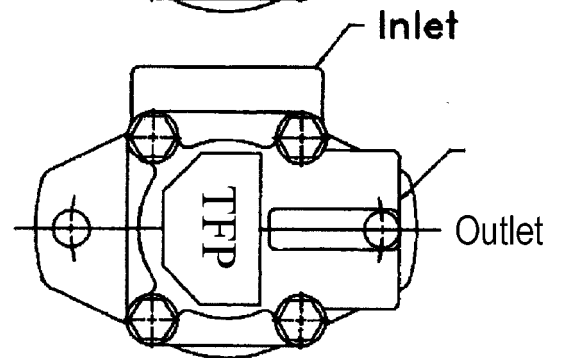
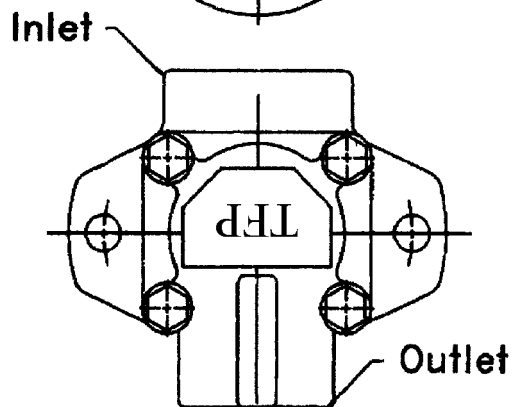
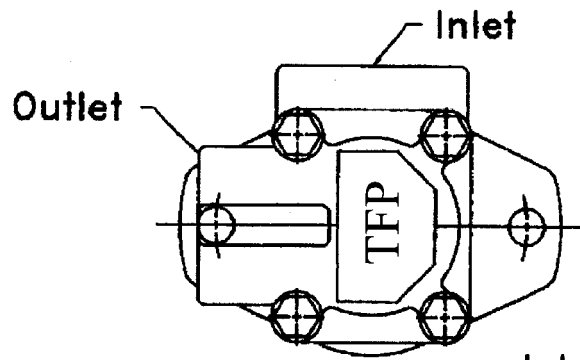
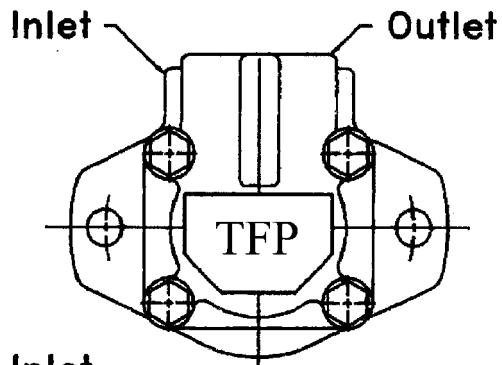
FLOW RATE ORIFICE		RELIEF VALVE NUMBER / PRESSURE SETTING			
2	-2 USgpm	A-	250psi	229613N	H- 2000psi 232799N
3	-3 USgpm	B-	500psi	233018N	J- 2500psi 233019N
4	-4 USgpm	C-	750psi	232794N	K- 2500psi 233020N
5	-5 USgpm	D-	1000psi	232795N	BODY 700283N
6	-6 USgpm	E-	1250psi	232796N	SPRING 700285N
7	-7 USgpm	F-	1500psi	232797N	POPPET 700284N
8	-8 USgpm	G-	1750psi	232798N	SHIM 700890N

V20

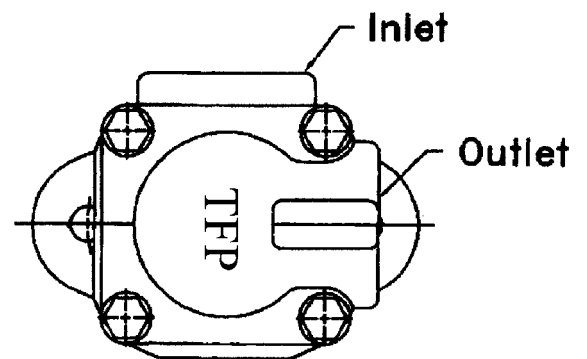
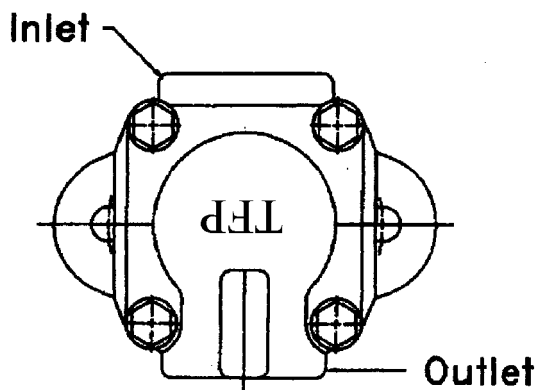
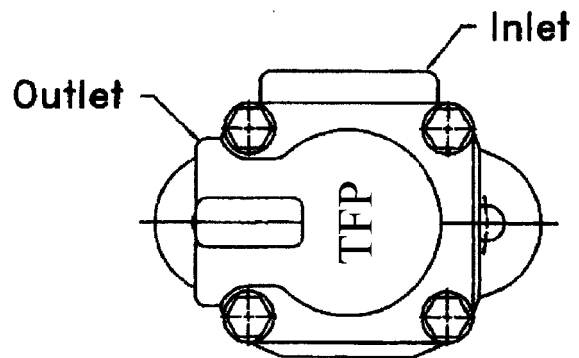
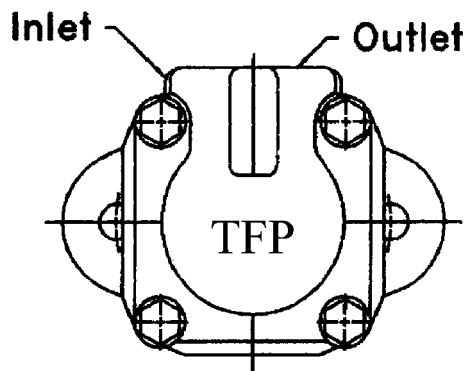


FLOW RATE ORIFICE		RELIEF VALVE NUMBER / PRESSURE SETTING			
2	-2 USgpm	A-	250psi	229613N	H- 2000psi 232799N
3	-3 USgpm	B-	500psi	233018N	J- 2500psi 233019N
4	-4 USgpm	C-	750psi	232794N	K- 2500psi 233020N
5	-5 USgpm	D-	1000psi	232795N	BODY 700283N
6	-6 USgpm	E-	1250psi	232796N	SPRING 700285N
7	-7 USgpm	F-	1500psi	232797N	POPPET 700284N
8	-8 USgpm	G-	1750psi	232798N	SHIM 700890N

TFP V10/20 SINGLE VANE PUMP OPTIONAL PORT POSITIONS



Note: Remove rear cover bolts, Rotate cover for proper port position
Torque bolts to 40 ft/lbs



Torque bolts to 80 ft/lbs