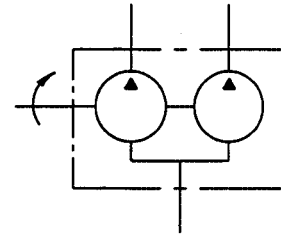


TIDAL VT6CC HIGH PERFORMANCE DOUBLE VANE PUMPS



High Performance in an Economical Package

TIDAL VT6CC fixed displacement vane pumps are engineered for higher operating pressures (4000psi) and shaft speeds (2800rpm) demanded by today's expanding Fluid Power Market. The VT6CC has an SAE "B" mount with a wide variety of displacements and keyed/splined shafts.



Features:

- * High Volumetric Efficiency
- * Double Lip Vane Design

- * Lower Noise Levels
- * Large Variety Displacements

VT6CC	-	B10	-	B10	-	1	-	R	-	N
Series		Front Ring Size		Back Ring Size		Shaft		Rotation		Design
		B03	B17	B03	B17	1-7/8 keyed		R - Right		
		B05	B20	B05	B20	3-Spline		L - Left		
		B06	B22	B06	B22	SAE "BB" 15th				
		B08	B25	B08	B25	5-Spline				
		B10	B28	B10	B28	SAE "B" 13th				
		B12	B31	B12	B31					
		B14		B14						

General Characteristics

Series	Max. Pressure PSI (MPa)	Speed r/min		Displ. in ³ /rev (cm ³ /rev)	Mounting Standard	Weight lb(kg)	Fluid Connection (SAE 4-bolt)		
		Max.	Min.				Pressure Ports (Front & Back)	Suction STD.	Inlet Opt.
VT6CC	4000(28.0)	2800	600	.66 ~ 5.42 (10.8 ~ 88.7)	SAE - B	57.3 (28)	1" S. FLG.	3" S. FLG.	2 1/2" S. FLG.

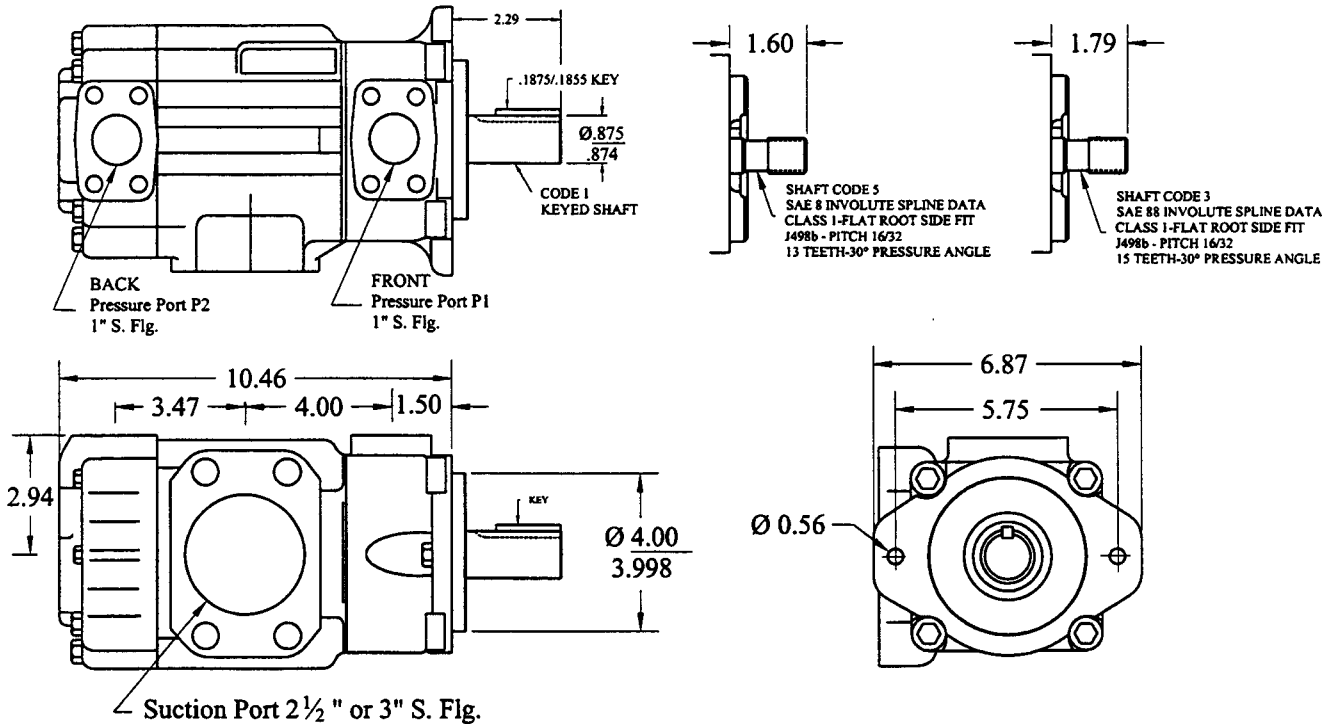
Operating Specifications

Fluid Type	VT6CC Continuous		VT6CC Intermittent	
	Speed r/min	Pressure psi(MPa)	Speed r/min	Pressure psi(MPa)
Antiwear Petroleum Base	2800	3500(24.5)	2800	4000(28.0)
Non Antiwear Petroleum Base	2800	2500(17.5)	2800	3000(21.0)
Water in Oil Emulsions	1800	2000(14.0)	1800	2500(17.5)
Water Glycols	1800	2000(14.0)	1800	2500(17.5)
Synthetic Fluids	1800	2500(17.5)	1800	3000(21.0)

TIDAL VT6CC DOUBLE VANE PUMP INSTALLATION/DIMENSIONS



Dimension & Operating Characteristics



Performance Data - Typical flow at 120°F, 10 W Oil (115 SUS), 0 PSI Inlet

Series	Volumetric Displ. Vp	Speed n[R.P.M.]	Flow(GPM)			Inputpower(HP)		
			0 PSI	2000 PSI	3500 PSI	100 PSI	2000 PSI	3500 PSI
VT6CC-B03	.66 in ³ /rev	1200	3.42	1.83	Δ 2.44	1.61	5.80	Δ 13.51
		1800	5.14	3.55		2.09	8.53	
VT6CC-B05	1.05 in ³ /rev	1200	5.45	3.86	2.76	1.76	8.21	13.51
		1800	8.18	6.59	5.48	2.26	12.07	19.63
VT6CC-B06	1.30 in ³ /rev	1200	6.76	5.17	4.06	1.76	9.66	16.09
		1800	10.12	8.56	7.42	2.41	14.32	23.65
VT6CC-B08	1.61 in ³ /rev	1200	8.36	6.78	5.68	1.93	11.58	19.48
		1800	12.55	10.97	9.86	2.57	17.22	28.49
VT6CC-B10	2.08 in ³ /rev	1200	10.81	9.23	8.11	2.09	14.32	24.30
		1800	16.20	14.65	13.50	2.74	21.56	35.88
VT6CC-B12	2.26 in ³ /rev	1200	11.76	10.47	9.57	1.92	15.53	26.36
		1800	17.64	16.35	2.74	2.84	23.05	38.92
VT6CC-B14	2.81 in ³ /rev	1200	14.58	12.99	11.89	2.26	18.83	32.03
		1800	21.88	20.29	19.18	3.06	28.32	47.47
VT6CC-B17	3.56 in ³ /rev	1200	18.48	16.99	15.79	2.57	23.23	39.91
		1800	27.71	26.16	25.01	3.38	35.24	59.38
VT6CC-B22	4.29 in ³ /rev	1200	22.28	20.70	19.60	2.74	27.84	47.63
		1800	37.42	31.86	30.72	3.70	42.00	70.97
VT6CC-B25*	4.84 in ³ /rev	1200	25.14	23.56	22.44	2.89	31.06	53.42
		1800	37.69	36.14	35.00	4.02	46.99	79.66
VT6CC-B28*	6.10 in ³ /rev	1200	28.15	26.86	26.24	2.87	34.66	51.37
		1800	42.23	40.94	40.32**	4.27	51.74	76.73**
VT6CC-B31*	5.42 in ³ /rev	1200	31.70	30.41	29.79	3.08	38.80	57.58
		1800	47.56	46.27	45.65**	4.58	57.95	86.06**

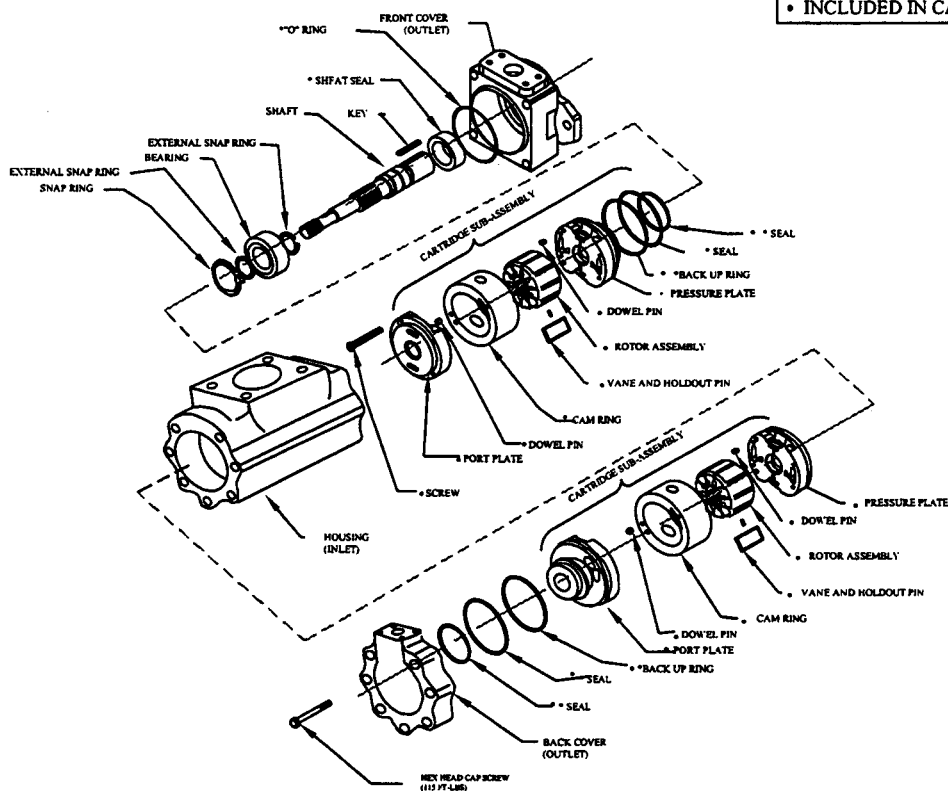
*B25-B28-B31 = 2500 R.P.M. max.
**B28-B31 = 3000 PSI max.int.

Δ Not used because internal leakage
is greater than 50 % theoretical flow

TIDAL VT6CC DOUBLE PUMP SERVICE PARTS INFORMATION



- INCLUDED IN SEAL KIT
- INCLUDED IN CARTRIDGE KIT



VT6CC SPARE PARTS CHART

PUMP SIZE	P1 CART. KIT	PUMP SIZE	P2 CART. KIT	COMMON CAM RING	VANE KIT	ROTOR	PRESSURE PLATE	PORT PLATE	SHAFT
VT6CC-P1-B03	VS24-58882	VT6CC-P2-B03	VS24-10371	V034-59050	V034-59099	VS24-10350	V034-66453	V034-59118	#1 V034-59110
VT6CC-P1-B05	VS24-58884	VT6CC-P2-B05	VS24-10373	V034-59051		FRONT	FRONT	FRONT	#2 V034-66576
VT6CC-P1-B06	VS24-58886	VT6CC-P2-B06	VS24-10375	V034-59052		CART. P1	CART. P1	CART. P1	#3 V034-59108
VT6CC-P1-B08	VS24-58888	VT6CC-P2-B08	VS24-10377	V034-59053					#5 V034-59109
VT6CC-P1-B10	VS24-58890	VT6CC-P2-B10	VS24-10379	V034-59054					
VT6CC-P1-B12	VS24-58892	VT6CC-P2-B12	VS24-26498	V034-66595					
VT6CC-P1-B14	VS24-58894	VT6CC-P2-B14	VS24-10381	V034-59206		VS24-10116	V034-66453	VS24-10349	
VT6CC-P1-B17	VS24-51569	VT6CC-P2-B17	VS24-10383	V034-59207		REAR	REAR	REAR	
VT6CC-P1-B20	VS24-58898	VT6CC-P2-B20	VS24-40684	V034-66607		CART. P2	CART. P2	CART. P2	
VT6CC-P1-B22	VS24-58900	VT6CC-P2-B22	VS24-10385	V034-59208					
VT6CC-P1-B25	VS24-58902	VT6CC-P2-B25	VS24-10387	V034-59209					
VT6CC-P1-B28	VS24-58904	VT6CC-P2-B28	VS24-25973	V034-59245					
VT6CC-P1-B31	VS24-58906	VT6CC-P2-B31	VS24-51341	V034-66843					

- All cartridge assemblies are factory tested prior to shipping -

STANDARD SEAL KIT	VITON SEAL KIT	STANDARD SHAFT SEAL	VITON SHAFT SEAL	BEARING	FRONT COVER	BACK COVER	HOUSING COVER	
							3"	2 1/2"
VS24-10352-0-N	VS24-10352-5-N	V620-82012N	V620-82068N	V230-82054N	V034-59107	V034-59425	V034-59125	V034-59105

Filtration

For satisfactory service life, use full flow filtration to provide fluid which meets ISO cleanliness code 16/13 or better.